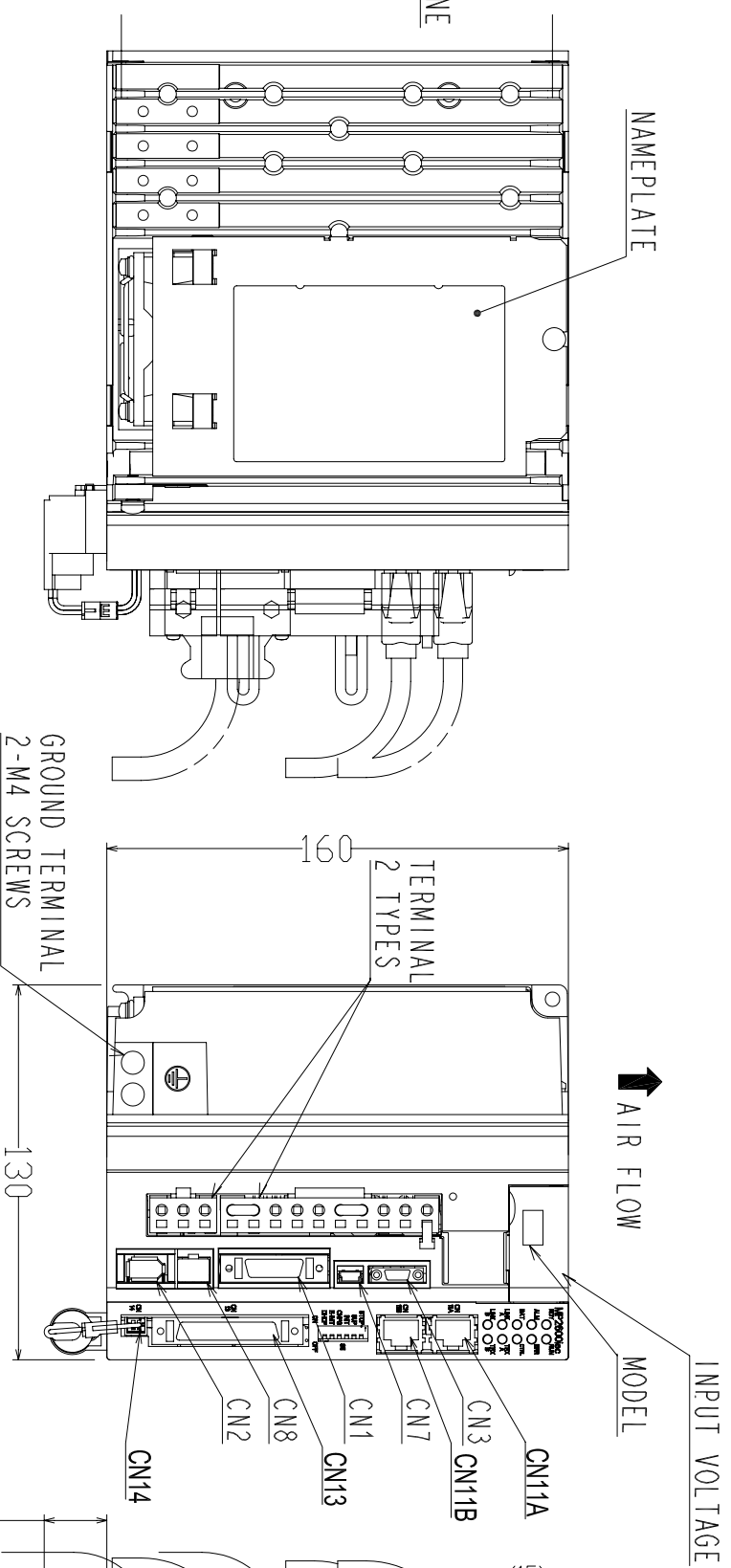


MOUNTING HOLE DIAGRAM



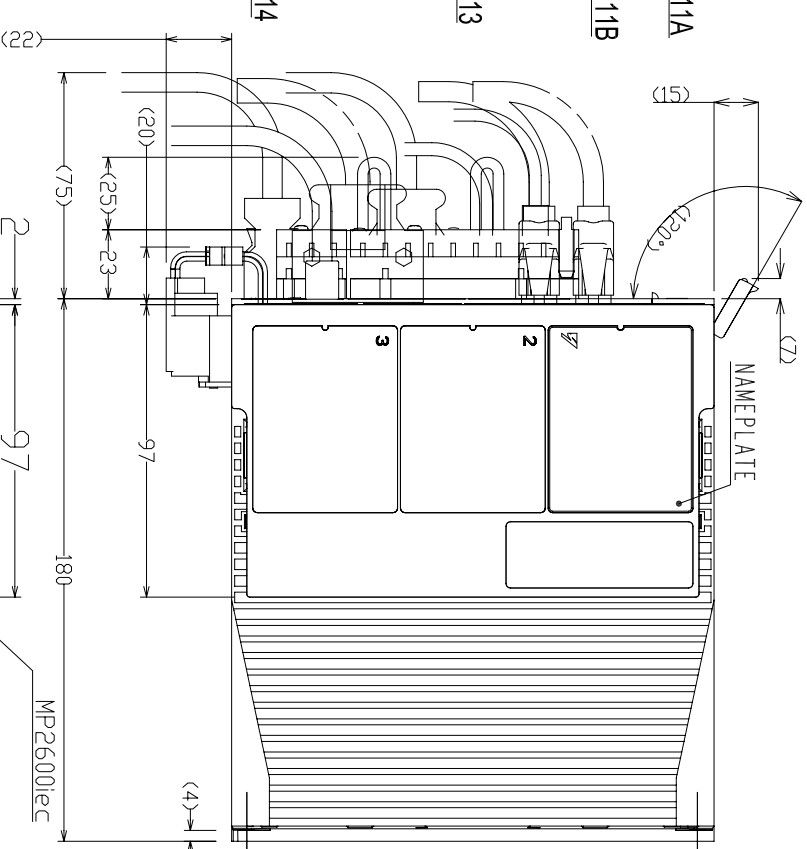
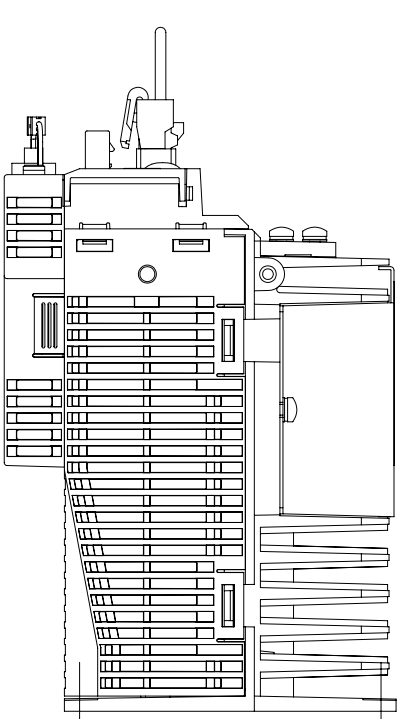
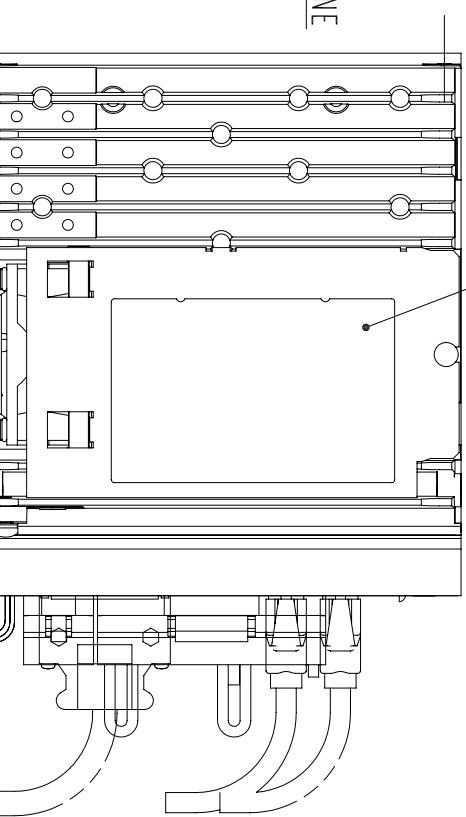
INPUT VOLTAGE

MODEL

AIR FLOW

GROUND TERMINAL
2-M4 SCREWS

TERMINAL
2 TYPES



COOLING FAN

APPROX. MASS: 3.0 kg

(NOTE 1) Refer to UDE00303 for the outline drawing of the MP2600iec option unit.

Models
SGDV-1R9DE1A000000300
SGDV-1R9DE5A000000300
SGDV-3R5DE1A000000300
SGDV-3R5DE5A000000300
SGDV-5R4DE1A000000300
SGDV-5R4DE5A000000300

REV.	DESCRIPTION	EC #	DRAWN BY	DATE
-	-	-	-	-
-	-	-	-	-
-	-	-	-	-
-	-	-	-	-
0	INITIAL RELEASE	EAR-2010-548	A. SLIMAK	10/14/10

MATERIAL:	TOLERANCES / REFERENCES:
SPEC:	UNLESS OTHERWISE SPECIFIED
FINISH:	N/A
REF DWGS:	900-048-857, UDE00303

DATE	TITLE
10/14/10	SGDV-1R9/3R5/5R4DxA000000300
10/14/10	OUTLINE DRAWING (xx: E1, E5)



THIS DOCUMENT AND INFORMATION CONTAINED HEREIN ARE CONFIDENTIAL, AND CANNOT BE COPIED OR DISCLOSED IN WHOLE OR IN PART WITHOUT THE EXPRESS WRITTEN CONSENT OF YASKAWA AMERICA, INC.

DATE	DATE	DATE	DATE
10/14/10	10/14/10	10/14/10	10/14/10

DESIGNER	CHECKED	APPROVED
A. SLIMAK	C. KINTNER	D. LEE

SIZE	REVISION	PAGE
B	0	1 of 1